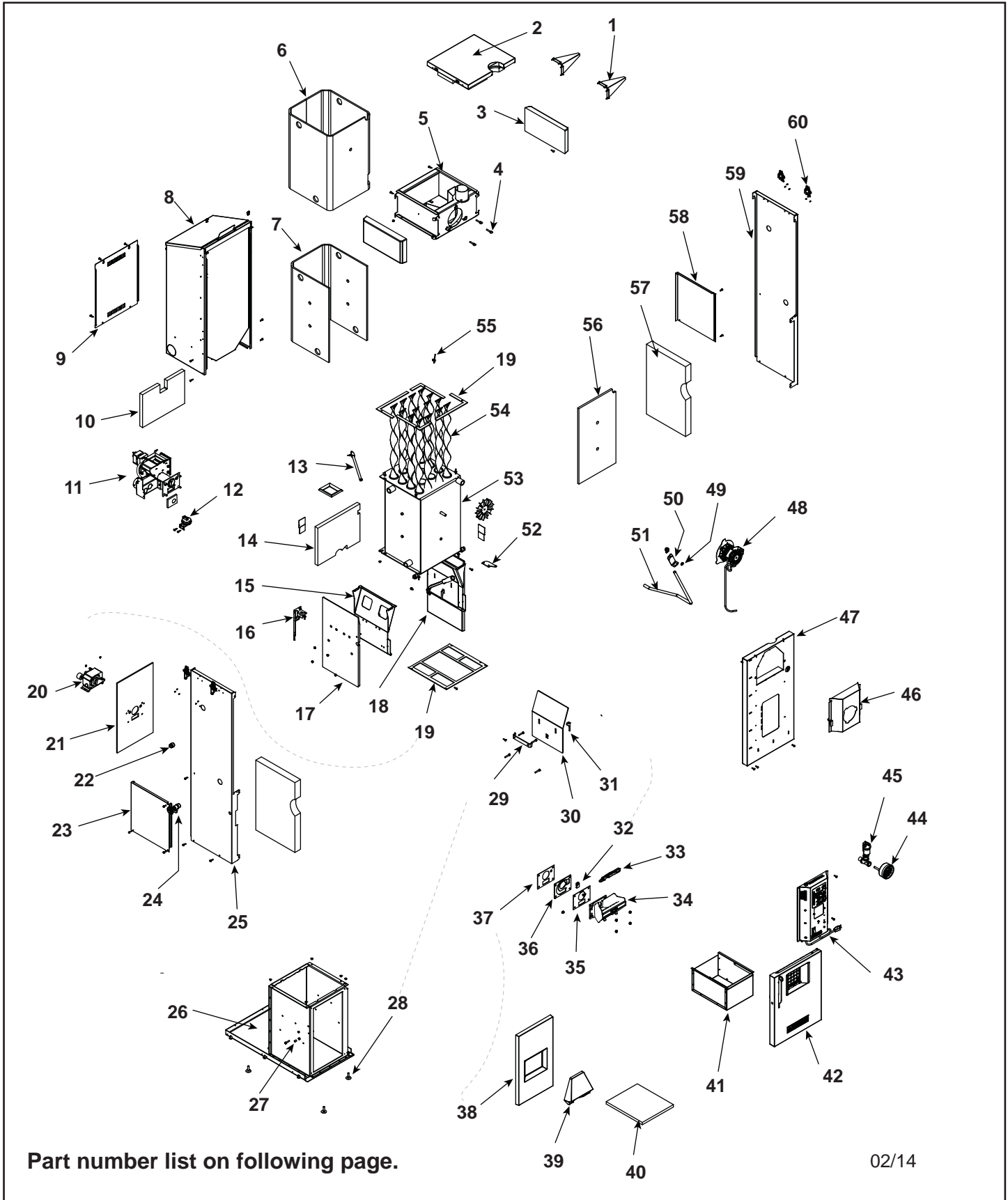


1-90-232000



IMPORTANT: THIS IS DATED INFORMATION. Parts must be ordered from a dealer or distributor. **Hearth and Home Technologies does not sell directly to consumers.** Provide model number and serial number when requesting service parts from your dealer or distributor.



Stocked  
at Depot

ITEM	Description	COMMENTS	PART NUMBER	
1	Plumbing Support Kit - Qty. 2 req.		1-10-232044	
2	Firetube Cleanout Door Assembly		1-10-232060A	
	Firetube Lift & Clean Kit		1-00-232120	
3	Draft Section Refractory Side	Qty 2 req	3-40-232054	
4	1/4-20 x 1-1/2" Wingscrew with Collar	Pkg of 10	3-31-782124-10	Y
5	Draft Section Weldment		1-10-232011W	
6	1/2" Foam Insulation Wrap Around		3-44-232089	
7	1/2" Foam Insulation		3-44-232088	
8	Hopper Assembly		1-10-232034A	Y
	Gasket, Hopper Lid	10 Ft	1-00-00248	Y
	Gasket, Hopper Throat		3-44-677185	Y
	Gasket, Hopper Top	20 Ft	1-00-375501	Y
	Hopper Lid Assembly		1-00-232038	
9	Feeder Shield Rear		2-00-232039B	Y
10	1" Foil Faced Fiberglass Insulation		3-44-232085	
11	UL Feeder Assembly	<b>Refer to feeder assembly page</b>		
12	Differential Switch		3-20-6866	Y
13	Tempco 450W Igniter		1-00-10450	Y
14	1" Foil Faced Fiberglass Insulation		3-44-232086	
15	Tube Cleanout Plate	Qty 2 req	2-00-232008B	
16	Hopper Stiffener Bracket Left		2-00-232031-1B	
	Hopper Stiffener Bracket Right		2-00-232031-2B	
17	Firebox Refractory Side	Qty 2 req	3-40-232010	
18	Burn Pot Scraper		1-00-232208	
19	Water Jacket Gasket	Combustion	3-44-232094-1	
		Long Bottom	3-44-232094-2	
		Short Bottom	3-44-232094-3	
20	Air Pump		3-20-02679	Y
	Fitting & Filter	Pre 008490076	1-00-02679	Y
21	1/4" Ceramic Paper Feeder Insulation		3-44-232078	
22	3/4" NPT Square Plug	Qty 4 req	3-10-00600	
23	Feeder Cover Left		2-00-232096B	
24	3/4" NPT Boiler Drain		3-10-07560	
25	Outer Skin Left		2-00-232026B	
26	Combustion Section Weldment		1-10-232005W	
27	Steel Sleeve Bushing 3/8 OD x 1/2 OAL		3-50-05229	
28	Elevator Bolt 3/8-16 x 1-1/2"	Qty 4 req	3-30-937161501	
29	Firebox Cleanout Cover Retainer	Qty 2 req	2-00-232056B	

Additional service part numbers on the following page.

IMPORTANT: THIS IS DATED INFORMATION. Parts must be ordered from a dealer or distributor. **Hearth and Home Technologies does not sell directly to consumers.** Provide model number and serial number when requesting service parts from your dealer or distributor.



**Stocked  
at Depot**

ITEM	Description	COMMENTS	PART NUMBER	
30	Tube Cleanout Cover Plate	Qty 2 req	2-00-232052B	Y
31	Tube Cleanout Latch	Qty 2 req	2-00-232009L	
32	Ceramic Insert	Pkg of 10	3-20-05238-10	Y
33	Flame Guide		3-00-03000	Y
34	Burnpot Assembly		1-10-232079A	Y
	Clean Out Cover	2 Sets	1-00-06623	Y
	Thumb Screw	Pkg of 10	3-31-782108-10	Y
35	Ceramic Insert Gasket		3-44-724114	Y
36	Ceramic Insert Plate		2-00-724104	Y
37	Burn Pot Gasket		3-44-724115	Y
38	Firebox Refractory Rear		3-40-232015	Y
39	Firebrick		3-40-232093	Y
40	Firebox Refractory Bottom		3-40-232006	Y
41	Ash Pan Assembly		1-10-232049A	Y
42	Ash Door Assembly		1-10-232019A	
	Ash Door Spacer Set w/Gasket		1-00-232074	
	Glass 5.25 x 5.25		3-40-5555	
	Refractory		3-40-232023	
	Tadpole Gasket, Glass	10 Ft	1-00-00539	Y
43	Control Board Plate Assembly		1-10-232055A	
	Circuit Board w/Knobs & Shafts		1-00-06143	Y
	Knob & Shaft	Set of 25	1-00-015605	Y
	Fuse, 6 AMP	Pkg of 5	3-20-49447-5	Y
44	Pressure / Temperature Gauge		3-10-78427	Y
45	Plumbing Assembly		1-10-232080A	
46	Combustion Motor Cover	Pre SN 004490643	2-00-232028A	
		Post SN 004490643	2-00-232028B	
47	Outer Skin Front		2-00-232027B	
48	Combustion Blower		3-21-08639	Y
	Blade 5" Double		3-20-502221	Y
	Combustion Blower Mount		1-10-73416	
	Combustion Motor Mounting Screws	Pkg of 100	1-00-53483208	
49	External Retaining Ring		3-31-004357	
50	Flex Conduit Support Bracket		2-00-232071B	
51	3/8" Flex Conduit		1-00-25043	Y
	3/8" Flex Connector	Qty 2 req	3-20-1000	
52	Ash Door Hinge		2-00-232020L	
53	Water Jacket Weldment		1-10-232001W	

Additional service part numbers on the following page.

BUILT TO A STANDARD, NOT A PRICE

Beginning Manufacturing Date: July 2009  
Ending Manufacturing Date: Active

IMPORTANT: THIS IS DATED INFORMATION. Parts must be ordered from a dealer or distributor. **Hearth and Home Technologies does not sell directly to consumers.** Provide model number and serial number when requesting service parts from your dealer or distributor.

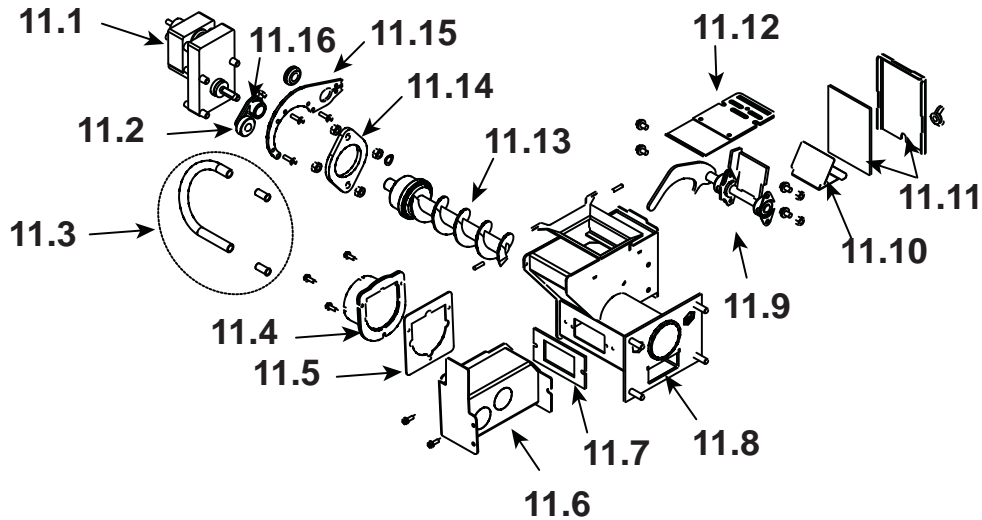


**Stocked at Depot**

ITEM	Description	COMMENTS	PART NUMBER	
54	Spiral Fire Tube Baffle	Pkg of 8	2-00-232053-8	Y
55	ESP Probe		3-20-00844	Y
	Aqua Temp Sensor Cable		3-20-72180	Y
56	1/2" Foam Insulation		3-44-232087	
57	2" Fiberglass Insulation	Qty 2 req	3-44-232090	
58	Feeder Cover Right		2-00-232097B	Y
59	Outer Skin Right		2-00-232025B	
60	Spring Latch	Qty 4 req	3-31-00927	Y
	3/8"-16 x 1/4" Alloy Steel Black Oxide Cup Point SSS	Pkg of 25	3-30-2014-25	Y
	3 Position Terminal Block		3-20-03018	Y
	Amtrol Air Vent		3-10-70130	
	Circuit breaker 10 Amp (orange - on/off switch)		3-20-334110	Y
	Diagnostic Dsplay Module		3-20-05401	Y
	DDM Replacement Cable		1-00-05402	
	Differential Switch		3-20-6866	Y
	Disconnect, Female	Pkg of 25	1-00-00959	Y
	Draft Meter Assembly		1-00-00637	Y
	Draft Meter Bolt & Tube		1-00-04004	
	High Altitude Intake Reduction		1-00-232059	
	Label, Caution		3-90-00247	
	Labels, Caution & Danger	Pkg of 10	1-00-200408541	
	Power Cord		3-20-39685	Y
	Relay, 8 Pin		3-20-29202	Y
	Rope Gasket, 3/8" 4 Strand	30 Ft	1-00-00888	Y
	Safety Relief Valve		3-10-77382	Y
	Silicone Tubing, 1/4"	5 Ft	1-00-5113521	Y
	Silicone Tubing, 1/8"	5 Ft	1-00-5113574	Y
	Swell latch & Spacer		1-00-199110	Y
	Touch Up Paint, Prepaint Aerosol		3-42-7737	
	Wiring Harness		3-20-232076	Y

Additional service part numbers on the following page.

### #11 Feeder Assembly



**IMPORTANT: THIS IS DATED INFORMATION.** Parts must be ordered from a dealer or distributor. **Hearth and Home Technologies does not sell directly to consumers.** Provide model number and serial number when requesting service parts from your dealer or distributor.



**Stocked  
at Depot**

ITEM	Description	COMMENTS	PART NUMBER	
11	UL Feeder Assembly		1-10-232108A	
11.1	Pellet Feeder Gear Motor, 6RPM		3-20-09302	Y
	Feed Motor Fan Blade	Pkg of 3	3-20-09302-3	Y
11.2	UL Feeder Cam		3-31-3014	Y
11.3	Feeder Air Crossover Kit		1-00-67900	Y
	9MM Silicone Tube	5 Ft	1-00-511427	Y
11.4	Pellet Air Intake Assembly		1-10-06810A	
11.5	Gasket Feeder Air Intake	Pkg of 6	3-44-72224-6	Y
11.6	UL Feeder Air Intake		1-10-232114	
11.7	Gasket Ultra Air Intake	Pkg of 10	3-44-677160-10	Y
11.8	Ultra Feeder Weldment		1-10-72226S	Y
11.9	UL Feeder Pusher Arm		1-10-677187W	Y
11.10	Fines Deflector	<b>No longer available</b>	2-00-677138-10	
11.11	Gasket, UL Feeder Cover	Set of 2	1-00-677122	Y
11.12	Slide Plate Assembly		1-10-677121A	Y
11.13	UL Feeder Auger Assembly		3-50-00565	Y
11.14	Bearing Flange w/Hardware		1-00-04035	Y
11.15	UL Feeder Gear Motor Bracket w/Grommet		1-00-247406	Y
11.16	UL Feeder Cam Block		3-00-677154	Y
	Grommet, Motor Bracket	Pkg of 12	3-31-2761-12	
	Hopper Switch Feeder Fitting	Set of 2	1-00-142818	Y
	Pillow Block	Pkg of 4	3-31-3614087-4	Y